

ISODYNE



DESCRIPTION

The ISODYNE mounting comprises two half mountings joined together.

OPERATION

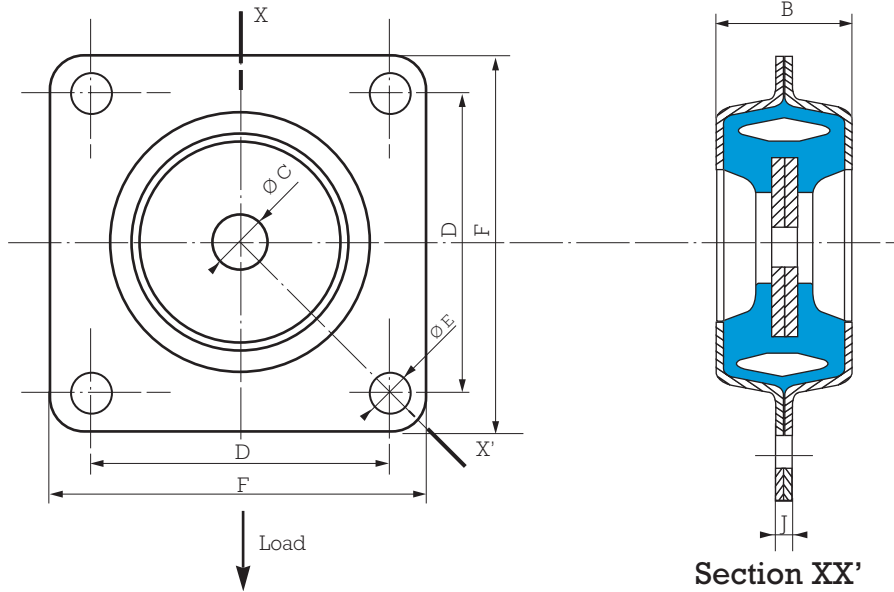
The design of the ISODYNE mounting gives the following basic characteristics :

- A very high axial to radial stiffness ratio.
- Vertical fixing avoiding excessive inclination of the equipment.
- Fixing at any angle.
- Safe, anti-rebound.

APPLICATIONS

ISODYNE can be used to suspend lightweight equipment in a vertical plane.

DIMENSIONS



Reference	Hardness	B mm	Ø C mm	D mm	Ø E mm	F mm	J mm	Weight g
551321	50	16	4.2	25.4	3.5	32	1.6	10
551441	45	18	6.5	35	4.2	44.5	2	24
551571	45.60	20	8.2	45.5	6.2	57.5	2	50

See current price list for availability of items.

OPERATING CHARACTERISTICS

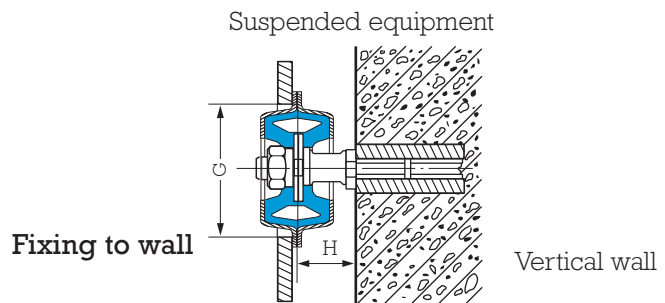
Nominal static load daN	Deflect. mm	Reference	Hard.
2.5	1	551321	50
10	3	551441	45

Nominal static load daN	Deflect. mm	Reference	Hard.
25	2.5	551571	45
35	2.5	551571	60

ASSEMBLY

Fixing clearances (approximate)

Reference	G mm	H mm
551321	28	18
551441	40	20
551571	47	22



Fixing a control panel against a wall or vertical frame.

